

PER-P 45

PAVER EDGE RESTRAINT

The ArchiGreen® PER-P 45 is a bendable black paver edge restraint profile made from UV & frost resistant recycled polyethylene. The measurements of the paver edge profile are 1000 mm x 80 mm x 45 mm (LxWxH). Its weight is 0.45 kg/lineal metre. The wall thickness of the restraint profile is 4 mm which is reinforced by buttresses for additional strength. With the aid of a snips tool, the stiffening flange line – along the side of the profile – can be easily cut at the locations where the profile is to be bent allowing the ArchiGreen® PER-P 45 to follow with ease the arches that are common in pathways and borders.

Use

The rugged L-shaped ArchiGreen® PER-P 45 profiles provide several benefits:

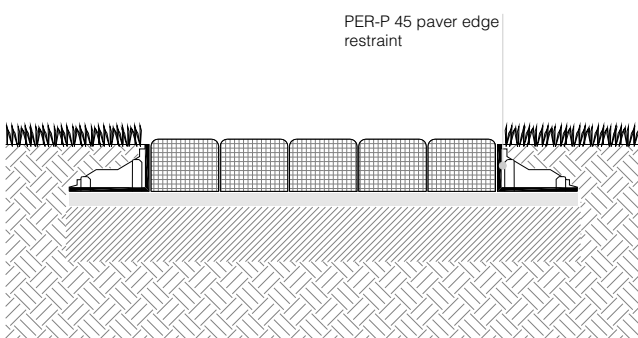
- Injection mould design provides strength and stability.
- Pieces easily nest together for convenient packaging.
- Thick back wall reinforced by buttresses for strength.
- Design allows for natural vegetation growth along paver edge.
- Simple border edging.
- Quick easy installation.
- Professional, unobtrusive finish
- Lightweight
- Easily edges corners and curves
- Easily cut to size
- Helps secure pavers and prevents them from moving horizontally.
- Can be installed before or after the pavers have been installed.
- Compatible with any surface finish.

Application area

The ArchiGreen® PER-P 45 is a quick and simple paving restraint system. It provides an aesthetically appealing finish to almost any application, including block pavements, garden paths or gravel strips. Manufactured from 100% UV & frost resistant recycled polyethylene, the ArchiGreen® PER-P 45 is light and easy to work with, offering rapid and simple installation. Once installed, the slim but durable vertical edge is virtually invisible, as it is hidden by soil or lawn. The system is highly flexible and can be used for straight lines, curves or even 90-degree bends, giving a simple, effective alternative to concrete haunching. The ArchiGreen® PER-P 45 borders are ideal for various paving applications on terraces and patios.

Size (L x W x H)	1000 x 80 x 45 mm
Weight	0.45 kg / lineal metre
Material of PER-P 45	UV & frost resistant recycled polyethylene
Wall thickness of the profile	4 mm
Measurements of spike	Ø16 x 250 mm
Material of spike	UV & frost resistant recycled polyethylene

Installation example

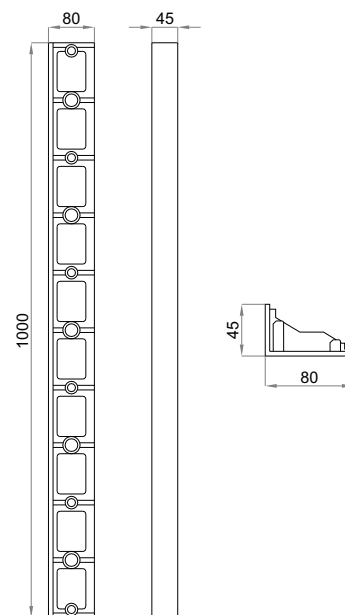


ARCHIGREEN Zöldtető Ltd.
15 Kossuth Lajos street • Tényő H-9111
Website: www.archigreenltd.com
E-mail: info@archigreenltd.com
Telephone: +36 70 666 3922

Specification suggestion

The ArchiGreen® PER-P 45 is a black paver edge restraint system with 45 mm depth. These paving restraint profiles primarily provide an aesthetically appealing finish to almost any application, including block pavements, garden paths or gravel strips. Supplied 'straight' they can be bent to shape on site to create curves and arcs. The 45 mm depth paver edge restraint profiles are also suitable to fulfil the role of ballast edge trims on extensive green roofs. The ArchiGreen® PER-P 45 paver edge restraint system is made from UV & frost resistant recycled polyethylene. Measurements of the paver edge restraint profile: 1000 x 80 x 45 mm (L x W x H). Weight: 0.45 kg/lineal metre. Colour: black. Anchoring pegs / spikes are not included but can be separately ordered.

Technical illustration



Tools required

A snips hand tool is required if the lawn edging profiles are to be bent. Anchoring pegs / spikes of size Ø16 x 250 mm are also required (For straight lines 3 spikes / lineal metre whereas in the case of curves the number of spikes increases to 4 - 5 per metre). Anchoring pegs/spikes are not included with the paver edge retainers and therefore, should be ordered separately.

Packaging unit

The ArchiGreen PER-P can be dispatched on Euro pallets. Gross measurements of the pallets are 1200 x 1000 x 2150 mm. There are 512 lineal meters on each pallet. Anchoring pegs / spikes (Ø16 x 250 mm) are not included but can be ordered separately from us.