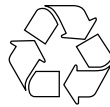


# SL 100

## SEPARATION SHEET



ArchiGreen Roof Ltd  
3 Patzay Pal Utca • Gyor • H-9024  
Website: [www.archigreenroof.com](http://www.archigreenroof.com)  
E-mail: [info@archigreenroof.com](mailto:info@archigreenroof.com)

SL 100 is a black needle punched non-woven geotextile that is thermally treated on one side and weighs 100 g/m<sup>2</sup>. It is made of polypropylene fibres. Being polypropylene, the fibres used in the production of the FL and SL engineered fabrics:

- Demonstrate extreme durability
- Exhibit excellent resistance to naturally occurring acids and alkalis
- Possess low moisture absorption properties
- Exhibit excellent resistance to microorganisms and do not rot

Its low weight by unit area combined with its hydraulic properties and one-sided thermal treatment make this product the ideal choice for separation applications of chemically incompatible layers in all types of green roof build-ups as advised in the German FLL Guidelines.

### Use

Usage of the SL 100 layer include:

- Physical barrier between a green roof's incompatible layers
- Prevention of sweating of the PVC softening agent

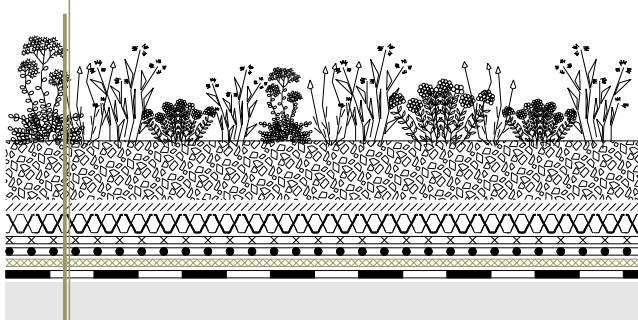
### Application area

SL 100 separation layer is primarily used to separate the chemically incompatible layers in a green roof build-up. Commonly, SL 100 is used to separate a non-bitumen resistant root barrier from a bituminous waterproofing. An overlapping of at least 150 mm is required between the adjacent separation sheets. Openings must be cut in the separation sheet above the roof outlets.

Size (L x W x H)	100 x 2 x Ø0.30 m
Weight	20 kg
Material	Polypropylene (PP)
Colour	Black
Effective pore size	0.12 mm
CBR puncture	1 kN
Cone drop test	35 mm
Tensile strength	
Warp (MD)	5 kN/m
Weft (CMD)	5 kN/m
Elongation at break	
Warp (MD)	70%
Weft (CMD)	85%
Water permeability	
Velocity Index $V_{I_{H50}}$	100 mm/s
Environmental aspect	Fully recyclable

### Installation example

Carefully selected vegetation  
SDS extensive substrate  
FL 150 filter layer  
SedumDrain® 25 water reservoir & drainage layer  
PL 300 protection layer  
Non-bitumen resistant root barrier  
SL 100 separation layer  
Non-root resistant bituminous waterproofing  
Insulation



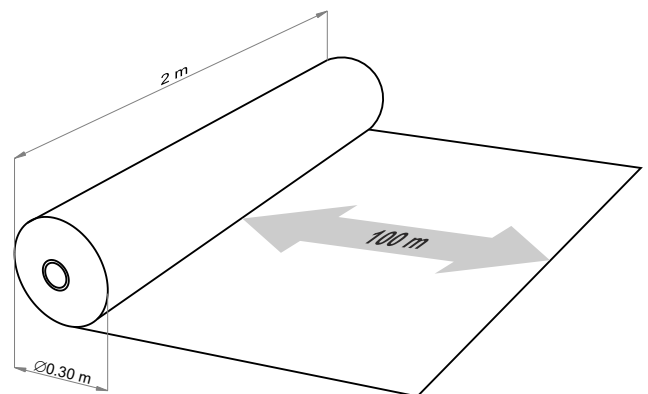
### Specification suggestion

ArchiGreen® SL 100 is a black separation sheet thermally treated on one side made of rot-proof polypropylene. It is primarily used to separate chemically incompatible layers in a green roof build-up. This product is CE-marked. Size: 100 x 2 x Ø0.30 m (L x W x H) [EN ISO 9863]. Weight: 20 kg [EN ISO 9864]. Effective pore size: 0.12 mm [EN ISO 12956]. Static puncture i.e. CBR test: 1kN [EN ISO 12236]. Dynamic perforation test i.e. cone drop test: 35 mm [EN ISO 13433]. Tensile strength warp (MD): 5 kN/m; weft (CMD): 5 kN/m [EN ISO 10319]. Elongation at break warp (MD): 70 %; weft (CMD): 85 % [EN ISO 10319]. Water permeability normal to the plane - velocity index  $V_{I_{H50}}$ : 100 mm/s [EN ISO 11058]. Microbiological resistance test: Minimum 25 years as per conditions set in the standard [EN 12225:2000]. Separation performance of the sheet exceeds the requirements set forth in the German FLL Guidelines. Delivery and installation is in accordance with manufacturer's instructions.



**Microbiological resistance EN 12225**  
25-year functionality warranted

### Technical illustration



### Tools required

For safety purposes a hook cutter is advised when cutting the non-wovens. Never cut directly on the waterproofing or the root barrier.

### Packaging unit

SL 100 is despatched in rolls of 2 x Ø0.30 m each with the SL 100 separation sheet being rolled on carboard tubes and the whole roll is wrapped in a black polyethylene bag which is secured by a black cap on both ends of the tube. Weight: 20 kg/roll